

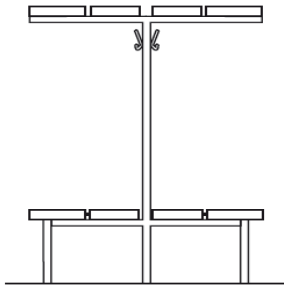
DOUBLE SIDED BENCH PLAN



Suffixe propose you a malleable solution through the double sided bench plan. It can be set up in the center of the cloakroom to maximize the space.

- > The seat are made of 2 board and are gathered in the factory on connector board. It is ready to be fixed on the wall bracket.
- > The steel wall bracket frame are covered of 100% polyester resin which is oven-baked
- > The screws and dowels are provided.

Classical version

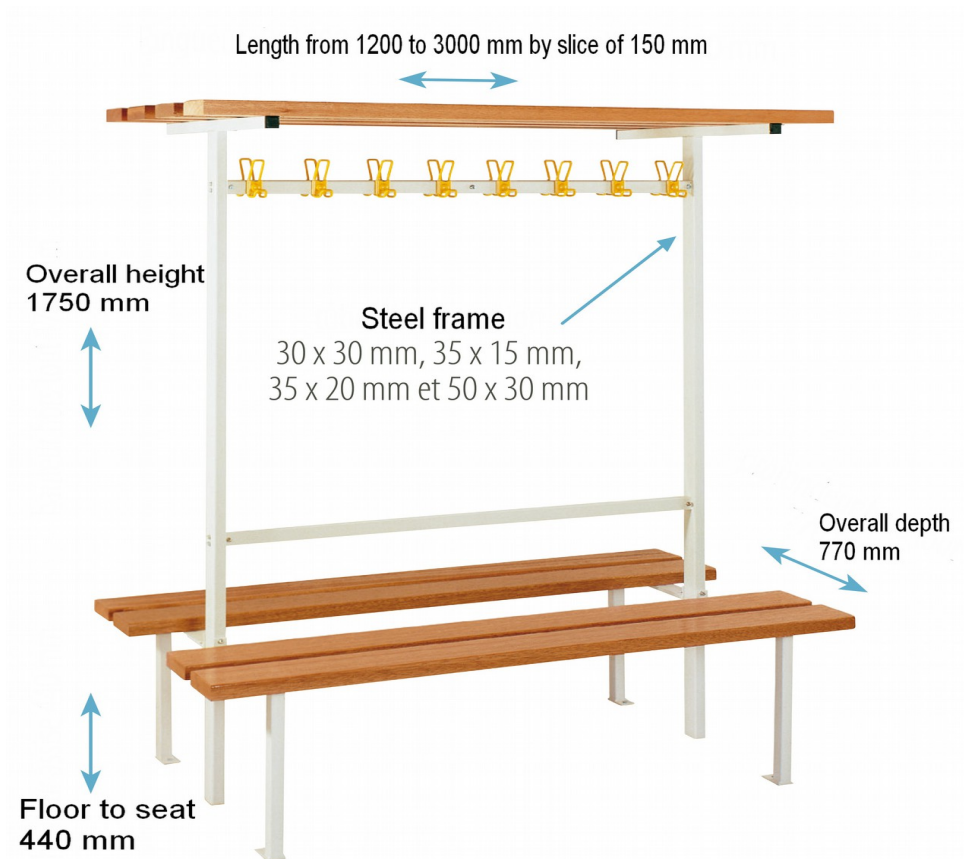


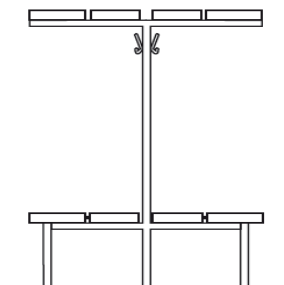
With shelves coat rack

> With GS frieze coat rack (see p 70)

Colored GS > Ref 242,122

Galvanized Colored GS > Ref 242,121



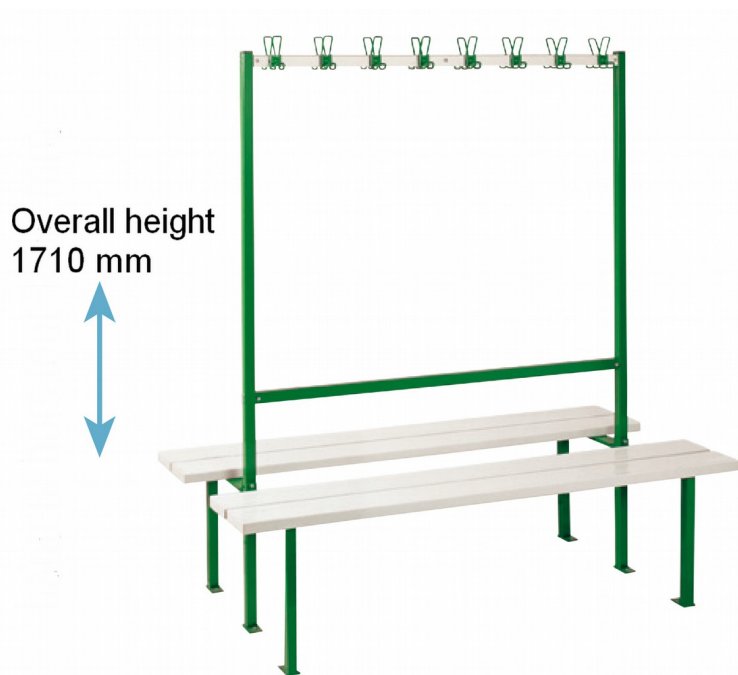


Without shelves coat rack

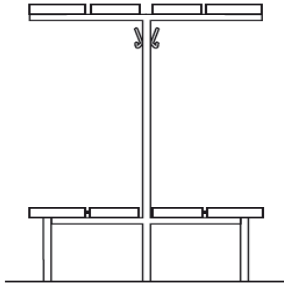
> With GS frieze coat rack (see p 70)

Colored GS > Ref 241,122

Galvanized Colored GS > Ref 241,121



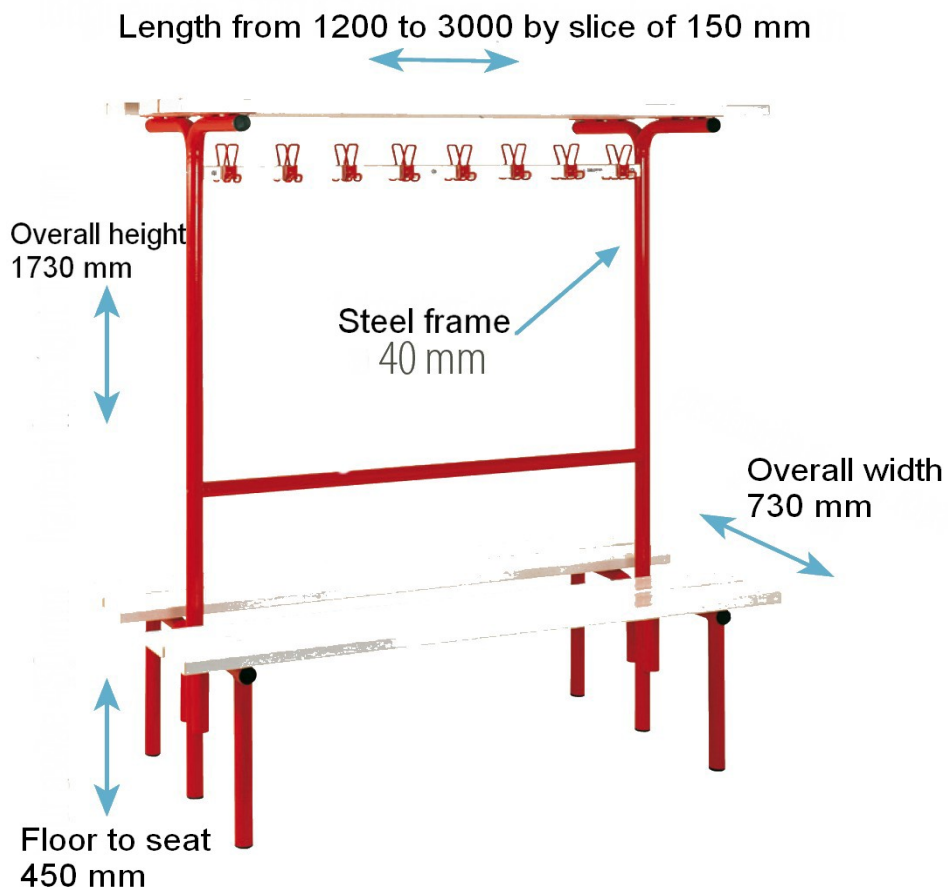
Forum version

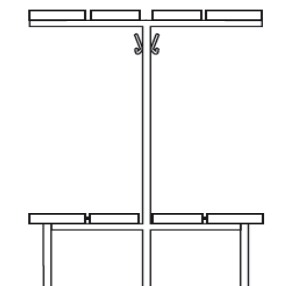


With shelves coat rack

> With GS frieze coat rack (see p 70)

Colored GS > Ref 242,222

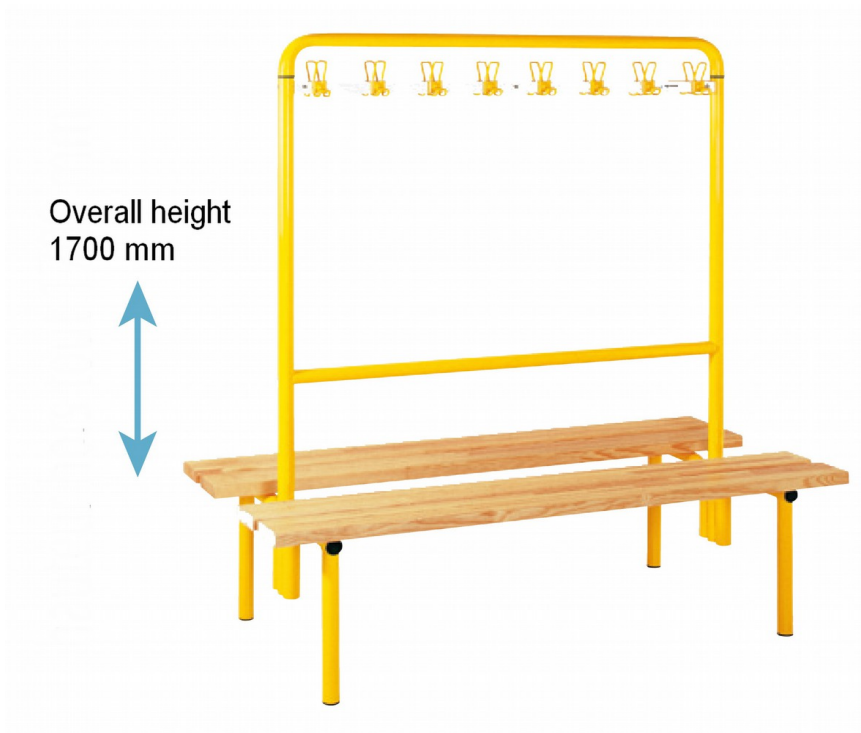




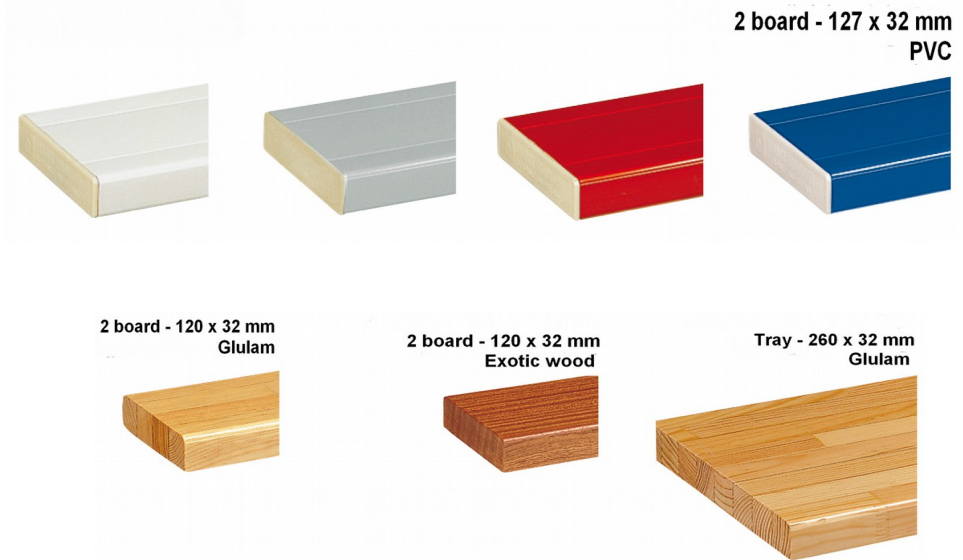
Without shelves coat rack

> With GS frieze coat rack (see p 70)

Colored GS > Ref 241,212



Seat bench



Feet and wall bracket color chart



GS coat rack colored

Classical GS

Galvanized GS

