

CLASSICAL FEET BENCH PLAN

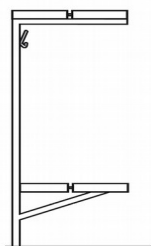


 **Master key**

The logo for "Master key" features a blue plus sign to the left of the word "product" in a white box, followed by the words "Master key" in a large, bold, black sans-serif font.

Suffixe offer you an adjustable solution: the classical feet bench plan. This product can be set up in function of your layout: in front of a partition or in the center of the cloakroom.. It offer a comfortable atmosphere. This product is also available in double side.

Classical version

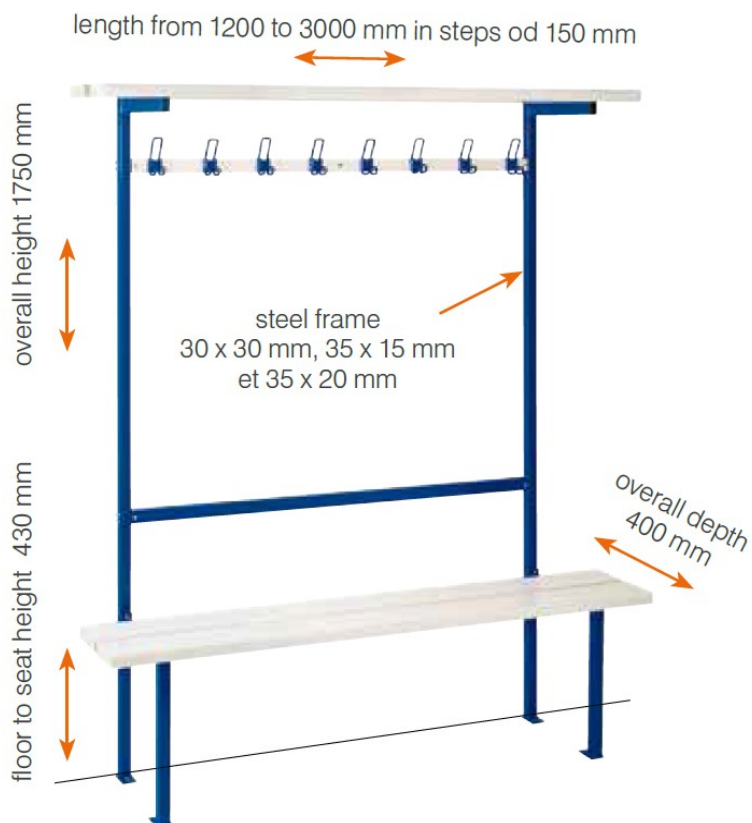


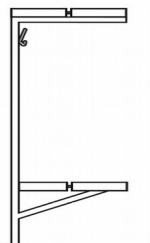
With shelves coat rack

> With GS frieze coat rack

Colored GS > Ref 242,112

Galvanized Colored GS > Ref 242,111



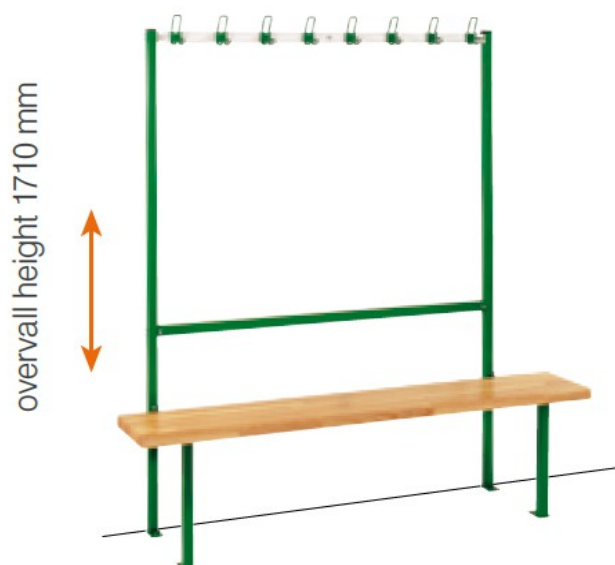


Without shelves coat rack

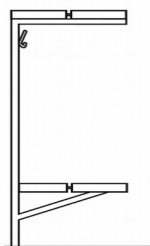
> With GS frieze coat rack

Colored GS > Ref 242,112

Galvanized Colored GS > Ref 242,111



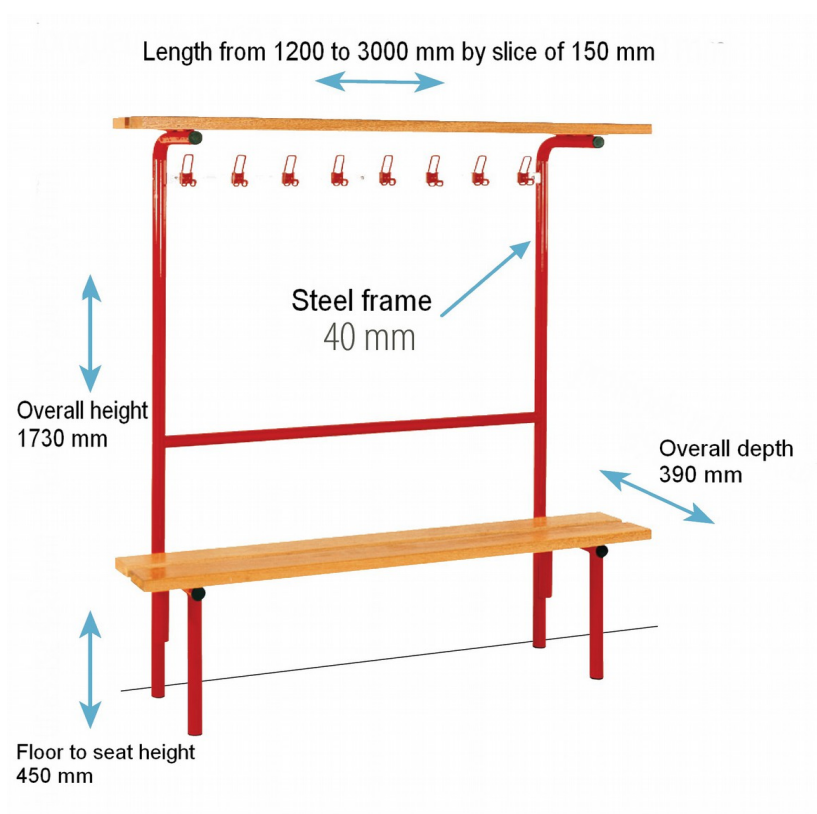
FORUM VERSION

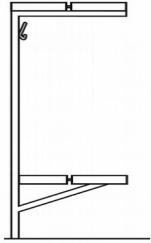


With shelves coat rack

> With GS frieze coat rack

Colored GS > Ref 242,212





Without shelves coat rack

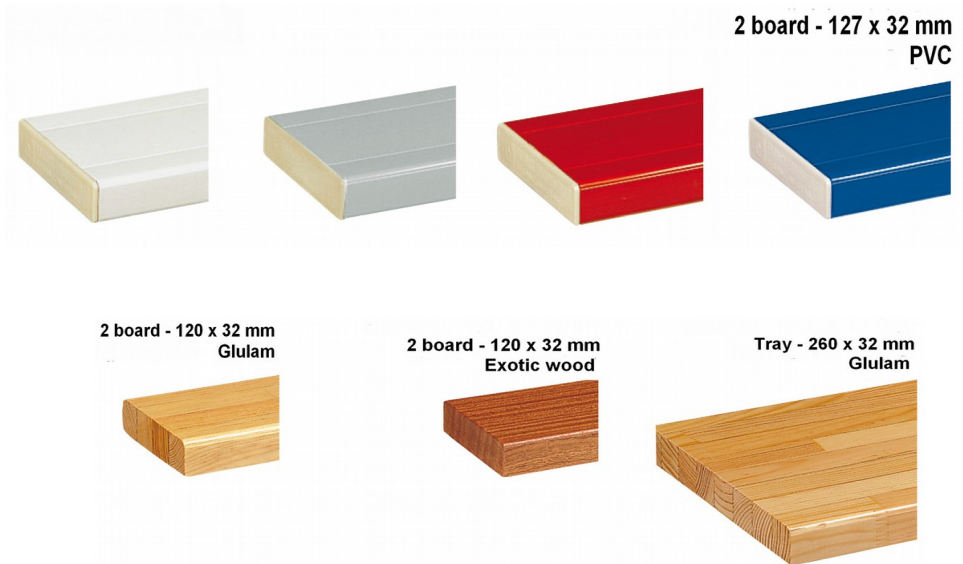
> With GS frieze coat rack

Colored GS > Ref 242,212

Overall height
1700 mm



Seat bench



Feet and wall bracket color chart



GS coat rack colored

Classical GS

Galvanized GS

